

Signature® Choral Riser

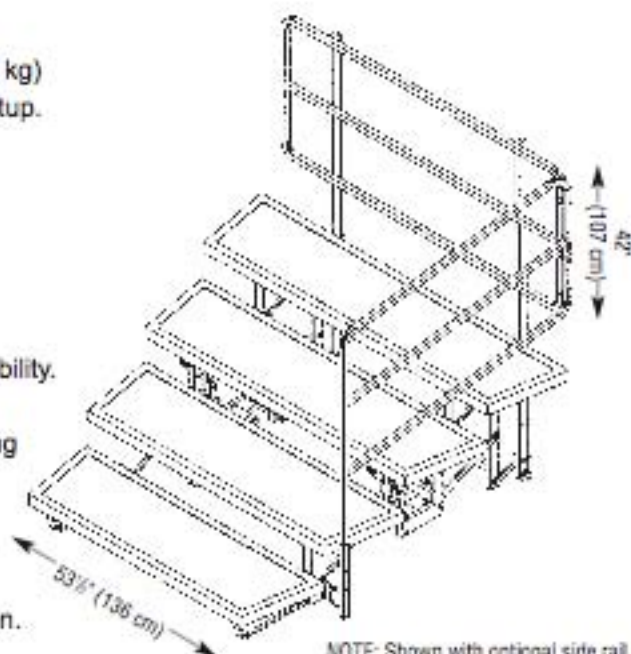


- 3-step 098B003 (192 lbs.)(86.4 kg)
- 4-step 098B004 (258 lbs.)(116 kg)
- 4th step kit to convert a 3-step to a 4-step 098B016 (65 lbs.)(29.3 kg)
- Portable 3-step and 4-step units have one-person mobility and setup.
- 3-Step riser storage depth is 27" deep x 69" high x 72" long (69 cm x 175 cm x 183 cm).

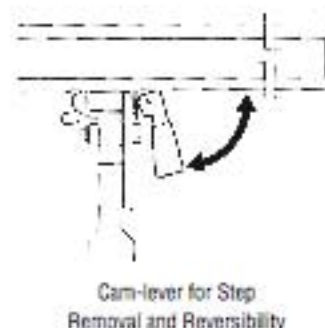
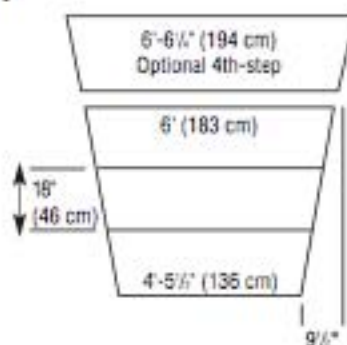
4-Step riser storage depth is 31" deep x 77" high x 78" long (79 cm x 196 cm x 198 cm).

Nesting of additional units reduces storage depth by 2" (5 cm).

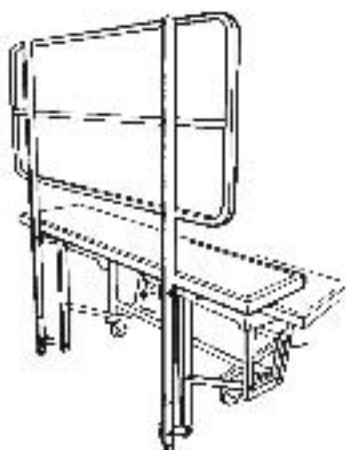
- Step supports are single piece aluminum casting for maximum stability and strength.
- Attached backrails are black powdercoat finish for maximum durability.
- Steps are covered with grey 100% olefin double tuft carpet.
- Units have built-in 4" (10 cm) swivel action wheels for maneuvering in tight spaces.
- Designed for in-facility use.
- Available in 6' (183 cm) width with 18" (46 cm) step depth.
- Easily fits through standard doorways.
- Built-in reversibility allows for straight or semi-circular configuration.
- Steps attach with a cam-lever design that provides the safety of bolted construction without tools.
- 42" (107 cm) attached backrail meets OSHA standard.
- 4th-step addition attaches permanently to create a sturdy four-step riser.
- Both 3-step and 4-step models fold with backrail attached.
- Three-year warranty. Patented design.
- 098B007, Optional Side Rails have black powdercoat finish and attach to backrail (56 lbs)(25kg).



NOTE: Shown with optional side rail.



Cam-lever for Step Removal and Reversibility



Attached Backrail



Storage and Rolling Position



Unfolds into Set-up Position