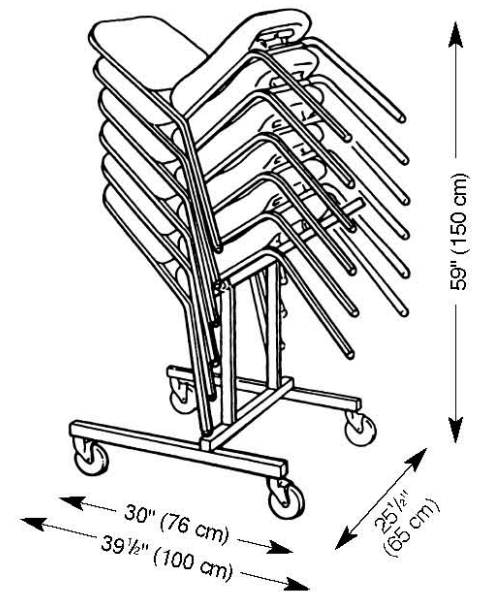


Symphony Chair

- 0970000 (21 lbs.)(10 kg)
- Seat is blow-molded polyethylene with contoured, high-density foam pad.
- Back is rugged polypropylene with molded foam pad.
- Seat and back are covered with high quality breathable fabric.
- Adjustable seat angle control.
- Patented music posture design, with seat pan rise of 4½° above thigh area, and a thigh to backrest angle of 97° allowing musicians to sit in a posture equivalent to standing, minimizing back problems.
- Fourteen-gauge steel tubing for strength.
- Black upholstery and frame.
- Available in heights of 18½" (47 cm) and 19½" (50 cm), with ¼" (6mm) seat angle adjustment.
- Chairs stack for compact storage.
- Permanent molded leg tip.
- Three-year warranty.
- Patented.



ACCESSORIES INCLUDE:

Adjustable Lumbar Pad

- 0979121 (1 lb.)(.5 kg)
- Pad is 1½" (4 cm) thick and covered with the same black fabric as the chair.
- Attached by velcro straps.

Move 'N Store Cart

- 112A094 (29 lbs.)(13 kg)
- Stack, move and store up to six Symphony Chairs.
- Steel construction with four easy-roll swivel casters.
- One-year warranty.

CHAIR HEIGHT	A	B	C	D
18½" (47 cm)	33½" (85 cm)	23⅞" (60 cm)	20¼" (52 cm)	18½" (47 cm)
19½" (50 cm)	34¼" (88 cm)	24⅜" (62 cm)	21" (53 cm)	19½" (50 cm)

