

Cellist Chair

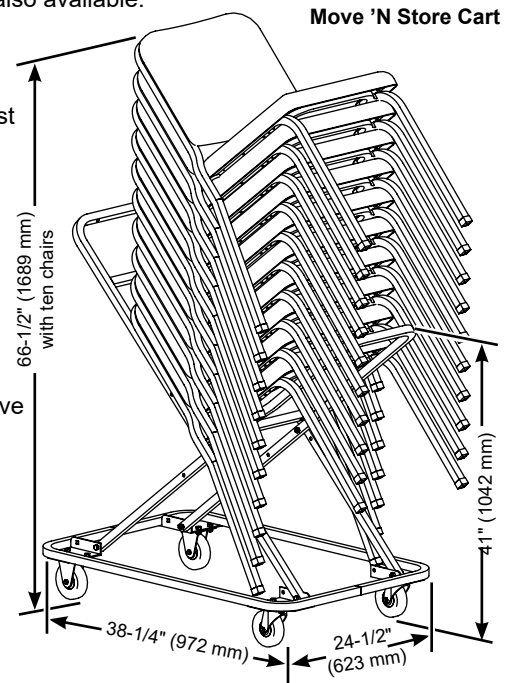
- 0940000 Black finish frame, 18 lb (8.2 kg)
- 0940001 Chrome finish frame, 18 lb (8.2 kg)
- Seat and back are covered with Black 100% polypropylene fabric
- Black powder-coat paint finish frame for maximum durability. Chrome finish frame is also available.
- Seat is rugged ABS material with 2" (51 mm) polyfoam cushioning.
- Back has 1-3/4" (44 mm) polyfoam back cushioning over 5/16" (8 mm) wood.
- Fabric is treated with BLOCKaide™ Stain Repellant
- Seat is tilted forward 1.3° to provide the ideal lean and balance requirements of a cellist
- Forward-positioned back stabilizes and supports the cellist posture
- 16-gauge 7/8" (22 mm) square tube frame, designed and welded to give support around entire outer edge of both seat and back
- Available in standard heights of 18-1/2" (470 mm) and 19-1/2" (495 mm)
- Stacks for compact storage, up to ten chairs on a cart; eight without a cart
- Durable, specially designed floor glides provide stability when seated and ease of movement when arranging chairs.
- California Technical Bulletin 117 compliant
- Environmental attributes for our products can be found at www.wengercorp.com/green-initiatives.php or by contacting your Wenger representative
- Five-year warranty

Move 'N Store Cart

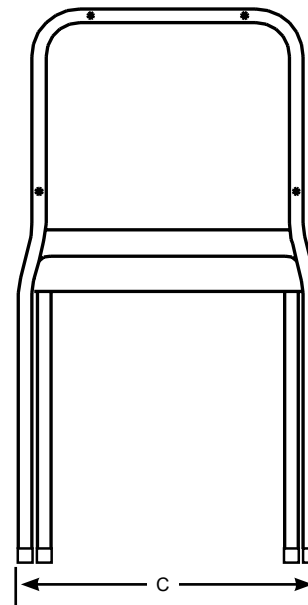
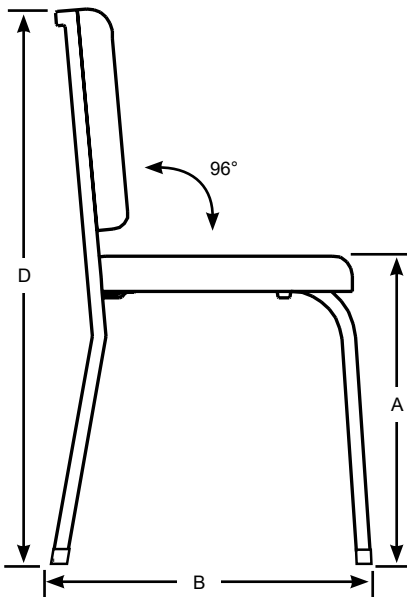
- 127A261 30 lb (14 kg)
- Stack, move and store up to ten Cellist chairs
- 16-gauge steel construction with easy-roll casters

Dust Cover

- 054D500
- Vinyl Coated Polypropylene
- For use with chairs stacked on cart



Chair Height	A	B	C	D
18-1/2" (470 mm)	19-1/4" (489 mm)	19-1/4" (489 mm)	19-1/4" (489 mm)	35-9/32" (896 mm)
19-1/2" (495 mm)	20-1/4" (514 mm)	19-5/8" (599 mm)	19-1/4" (489 mm)	36-9/32" (922 mm)



**PURCHASE
ONLINE!**



© 2022 Wenger Corporation
USA/2022-01

MUSIC EDUCATION AND PERFORMING ARTS

Owatonna Office: Phone 800.4WENGER (493-6437) Worldwide +1.507.455.4100 | Parts & Service 800.887.7145 | wengercorp.com
555 Park Drive, PO Box 448 | Owatonna | MN 55060-0448

Syracuse Office: Phone 800.836.1885 Worldwide +1.315.451.3440 | jrclancy.com | 7041 Interstate Island Road | Syracuse | NY 13209-9713

ATHLETICS Phone 800.493.6437 | email gearboss@wengercorp.com | gearboss.com | 555 Park Drive, PO Box 448 | Owatonna | MN 55060-0448