

Flex[®] Conductor's System Components

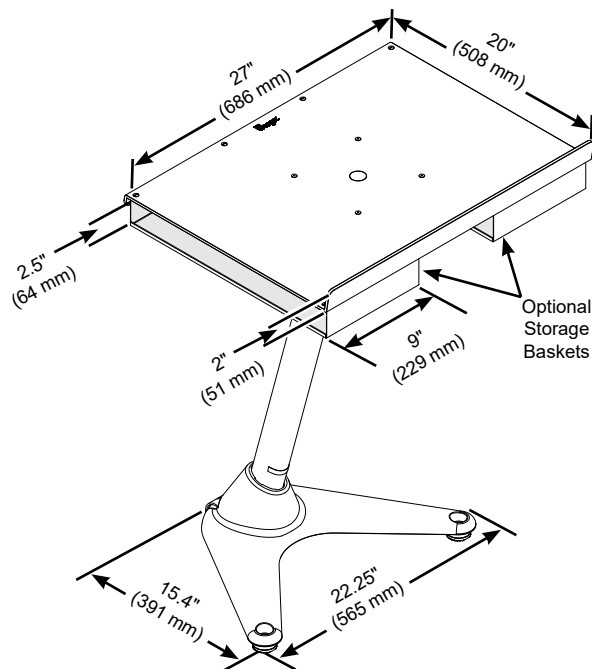


An ergonomically designed, customizable system that allows the conductor to create a personal workspace perfect for his or her own needs. Easily adjust heights, angles, positions and more for a back-saving workspace. Components can work together or independently. Mix and match from the following components.

Environmental attributes for our products can be found at www.wengercorp.com/green-initiatives.php or by contacting your Wenger representative.

Flex Conductor's Stand

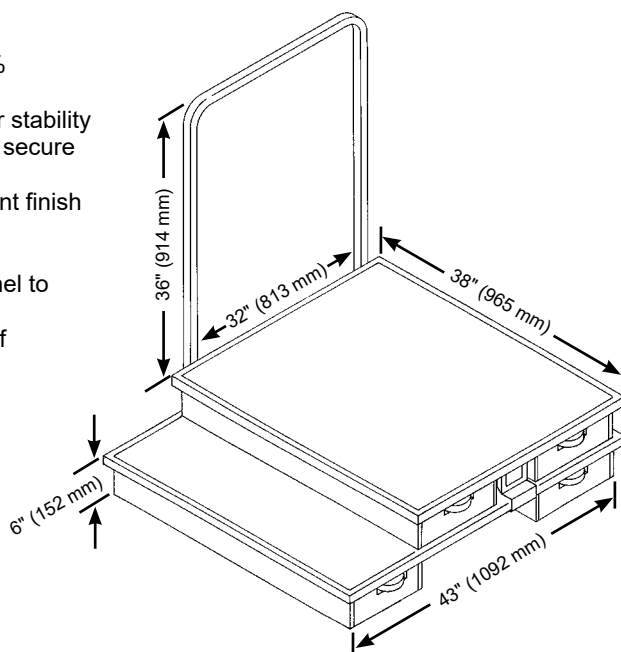
- Polycarbonate Desk 236C002 39 lb (17.7 kg)
- High-Pressure Laminate Desk 236C011 41 lb (18.4 kg)
- Provides additional storage space and will accommodate scores up to 10-1/2" x 19-1/2" (267 x 495 mm)
- Optional Storage Baskets 236C006 3.6 lb (1.6 kg)
Set of two 9" x 20" (229 x 508 mm) 22-gauge perforated steel baskets
Mounts to desk with hardware provided
- Desk is 20"x 27" (508 x 686 mm)
- Dual lock feature on desk allows desk to rotate so desk lip can be oriented toward or away from the user
- Desk lip is 2" (51 mm) high
- Desk height is adjustable in 2" (51 mm) increments by means of a trigger release lever located under the desk
- Height adjustment range from 36" – 52.5" (914 – 1334 mm) with the desk in the horizontal position
- Desk tilts from flat to vertical
- Extruded Aluminum uprights are at a 75° angle
- Cast iron base with wheels for easy transport
- Five-year warranty



Flex Conductor's Stand

Conductor's Podium

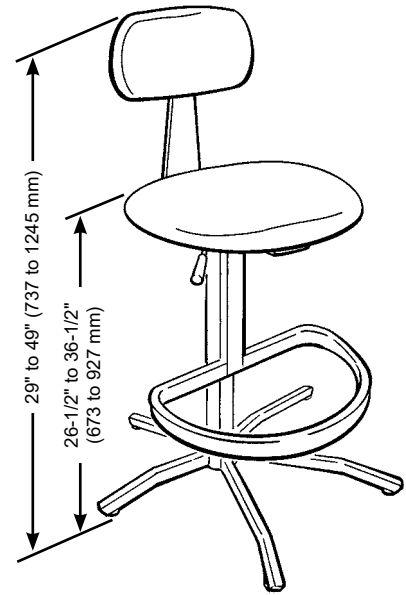
- Double: 1110302 101 lb (45 kg)
Base: 158E002 61 lb (28 kg)
Upper: 158E001 42 lb (19 kg)
- Podium tops are constructed of 5/8" (16 mm) plywood covered with 100% olefin carpet, and secured by heavy-duty steel edging; carpet color: Grey
- Each podium has eight black thermoplastic rubber pads on the bottom for stability
- Upper podium has an attached swing away vinyl coated locking clamp to secure it to the base podium
- Base is constructed of 14-gauge (2 mm) steel with black powder-coat paint finish
- Edging is 16-gauge (1.5 mm) steel; color: Grey
- Front panel is designed to allow conductor's stand to slide under podium
- Each podium has two 4" (102 mm) rubber casters recessed into front panel to move easily from room to room
- Upper podium has 36" (914 mm) high detachable guardrail constructed of 16-gauge (1.5 mm) steel
Finish: Black powder-coat paint
- Overall dimensions:
Base podium: 43" wide x 38" deep x 6" high (1092 x 965 x 152 mm)
Upper podium; 32" wide x 38" deep x 6" high (2057 x 965 x 152 mm)
- Five-year warranty



Conductor's Podium

Conductor's Chair

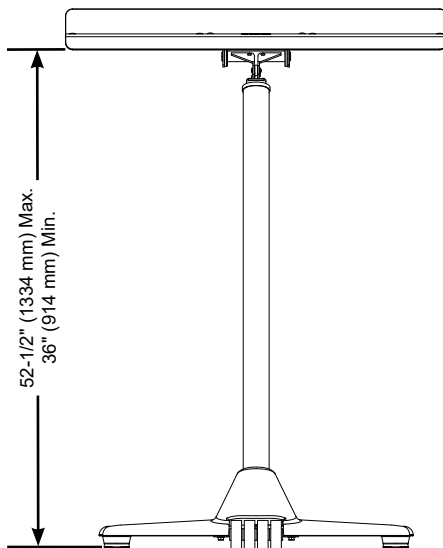
- 30 lb (14 kg)
- Chair frame and upright post assembly are constructed of 14-gauge steel with black powder-coat paint finish
- Seat and back are covered with Black 100% polypropylene fabric over 2" (51 mm) foam padding
- Seat height adjusts with pressurized gas cylinder in heights from 26-1/2" to 36-1/2" (673 to 927 mm)
- Seat has 170° swivel with locking feature
- Seat has three pre-determined depth settings for conductor, string bass, or percussion use
- 14-gauge (2 mm) steel foot rest is fixed to chair frame and the height adjusts with the seat
- Five 14-gauge (2 mm) steel legs designed to slide under 6" (152 mm) podium
- Overall footprint: 28" (711 mm)
- Overall height: 29" to 49" (737 to 1245 mm)
- UL GREENGUARD Certified - Product certified for low chemical emissions: ul.com/gg - UL 2818
- Five-year warranty



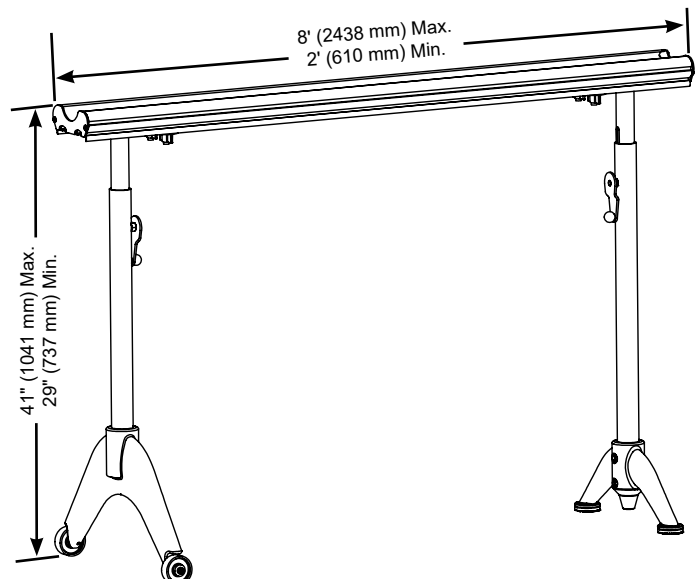
Conductor's Chair

Flex TechBridge

- 236A003 38.4 lb (17.4 kg) (reference 4' length)
- Extruded Aluminum channels are available in any length from 2' – 8' (610 mm – 2438 mm) for the perfect fit
- Cast iron footings for stability
- Wheels on one end for easy transport and repositioning
- Orientation feature on other end for connection to the Conductor's Stand
- Infinitely height adjustable between 29" and 41" (737 and 1041 mm) by means of a threaded rod
- Holds up to 250 lb (113 kg)
- Center of channels provide for cable and wire routing
- Velcro tie straps included for routing of cables and wires down each leg when required
- Five-year warranty



Flex Conductor's Stand



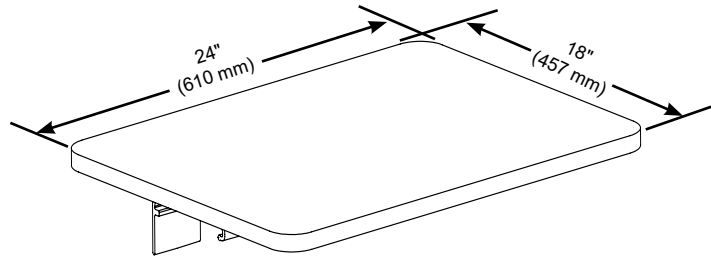
Flex TechBridge

TechBridge Accessories

Accessories easily attach to TechBridge without the use of tools by means of Bridge Clips made of durable injection molded ABS.

Work Surface Mount

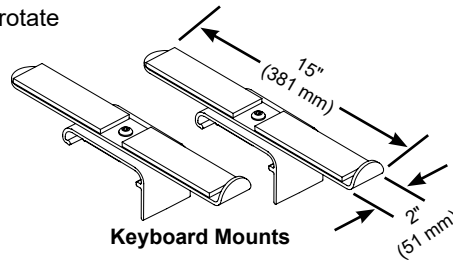
- 236A004 9.5 lb (4.3 kg)
- Laminated 18" x 24" (457 x 610 mm) in graphite finish with black edge banding securely attaches to TechBridge by means of two bridge clips
- Perfect for iPods, mixers, speakers, etc



Work Surface Mount

Keyboard Mount

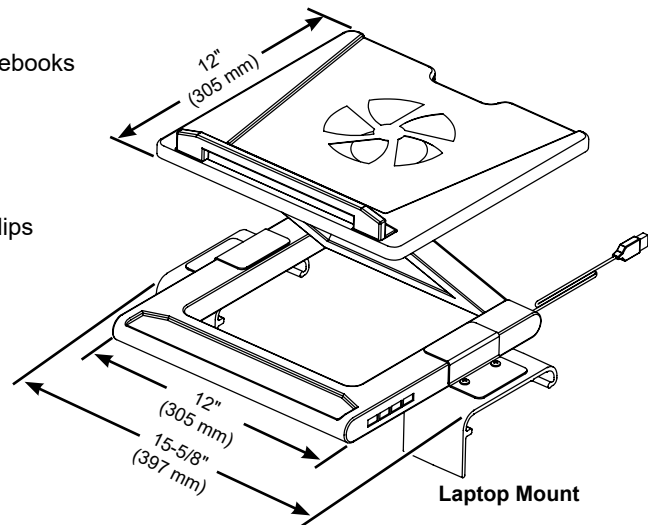
- 236A005 4 lb (1.8 kg) per set of 2
- Set of two 15" x 2" (381 x 51 mm) bars with non-slip pads rotate to position keyboard and provide maximum workspace



Keyboard Mounts

Laptop Mount

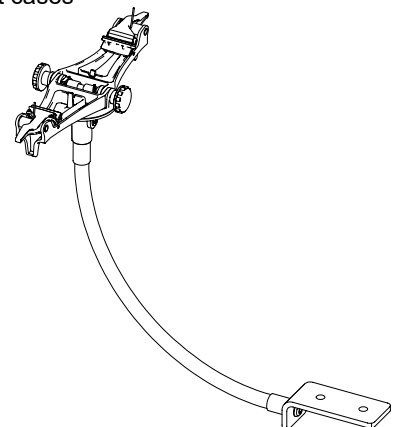
- 236A008 4.7 lb (2.1 kg)
- Z-lift with support shelf supports the weight of the heaviest notebooks
- Elevates and angles for best viewing
- Fold flat for convenient storage
- Support shelf extends outward for thicker notebooks
- USB 2.04-Port connectivity
- Non-slip pads for dependable positioning without interference
- Securely attaches to the TechBridge by means of two bridge clips and brackets



Laptop Mount

Universal Tablet Mount

- 236A013 2.5 lb (1.1 kg)
- Accommodates Smart Phones and Tablets 5" to 13.3" (127 to 338 mm) with or without cases
- Vinyl-covered segmented steel flex arm for perfect positioning
- Secures to the underside of the TechBridge using carriage bolts and wing nuts



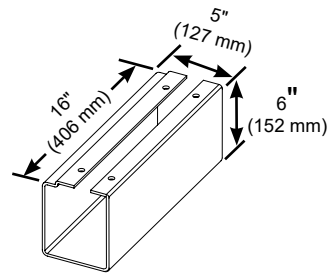
Universal Tablet Mount

TechBridge Accessories continued on the following page.

TechBridge Accessories (continued)

Power Strip Shelf

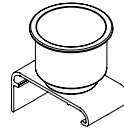
- 236A010 1.4 lb (0.63 kg)
- Formed ABS plastic Shelf holds standard power strip
- Secures to the underside of the TechBridge using carriage bolts and wing nuts



Power Strip Shelf

Cupholder

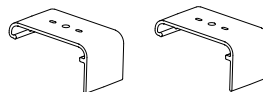
- 236A007 0.5 lb (0.23 kg)
- 3-1/2" (89 mm) diameter holding area
- Convenient place for a water bottle, pencils or other small items



Cupholder

Bridge Clips

- 236A007 0.5 lb (0.23 kg)
- Set of two injection molded ABS clamps for mounting other items on the TechBridge



Bridge Clips

Wenger®

JRCLANCY

GEARBOSS

f t YouTube b
© 2022 Wenger Corporation
USA/2022-01

MUSIC EDUCATION AND PERFORMING ARTS

Owatonna Office: Phone 800.4WENGER (493-6437) Worldwide +1.507.455.4100 | Parts & Service 800.887.7145 | wengercorp.com
555 Park Drive, PO Box 448 | Owatonna | MN 55060-0448

Syracuse Office: Phone 800.836.1885 Worldwide +1.315.451.3440 | jrclancy.com | 7041 Interstate Island Road | Syracuse | NY 13209-9713

ATHLETICS Phone 800.493.6437 | email gearboss@wengercorp.com | gearboss.com | 555 Park Drive, PO Box 448 | Owatonna | MN 55060-0448